

NUWEIGH



JAC 424

Hanging Scale

features

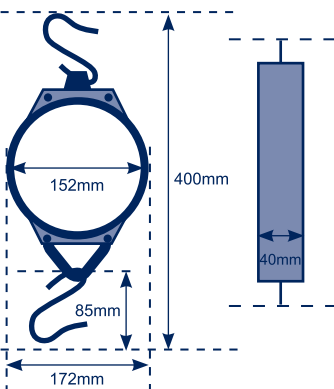
- Rugged heavy duty design
- Powder coated steel housing
- Stainless steel hooks
- Easy to read 152mm dial
- Quality spring mechanism
- Easy zero adjustment
- Perspex protective cover
- Clear, easy to read dial
- Available in 5 capacities

- **Consistent Accuracy**
- **Competitively Priced**
- **12 Months Guarantee**

specifications

MODEL	CAPACITY	RESOLUTION	DIAL SIZE
JAC-424-5	5kg	20g	152mm
JAC-424-10	10kg	50g	152mm
JAC-424-25	25kg	100g	152mm
JAC-424-50	50kg	200g	152mm
JAC-424-100	100kg	500g	152mm

Physical Dimensions (mm)



Easy To Read Dial Face



Newcastle Weighing Services Pty Ltd
 104-114 Hannell Street Wickham NSW 2293
Telephone: (02) 4961 4554 **Facsimile:** (02) 4962 1137
Email: sales@nws.com.au **Website:** www.nws.com.au



Established in 1976